

# Superstructures

A4

# Primus One

## System-Superstructure



## Technical features

- Space-saving power supply systems
- Light grey coated extruded aluminium profile
- Installation of simple power supply systems
- Already designed with a 3-phase wiring, the supply channel can be equipped immediately
- The duct is fastened to the tabletop
- Cable outlets at the side and underneath allow simple cable routing
- In order to equip the ducts, you can use the System 3HU power supply strips
- The desktop rack widths are determined acc. DIN 41494 in HP = Horizontal pitch = 5.08 mm; this means that the holding capacity is for 3 HU built-in components.. The installation height is uniform 6HU (1 HU = unit of Height = 44.45 mm).

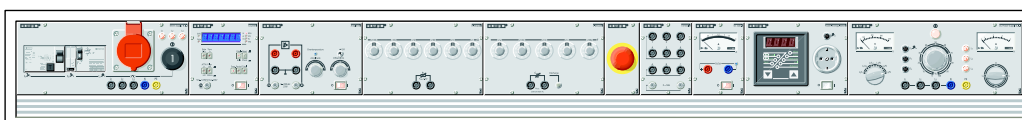
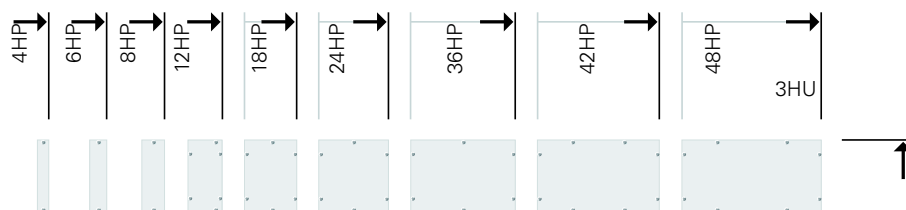
# Primus One

## System-Superstructure

### Technical data

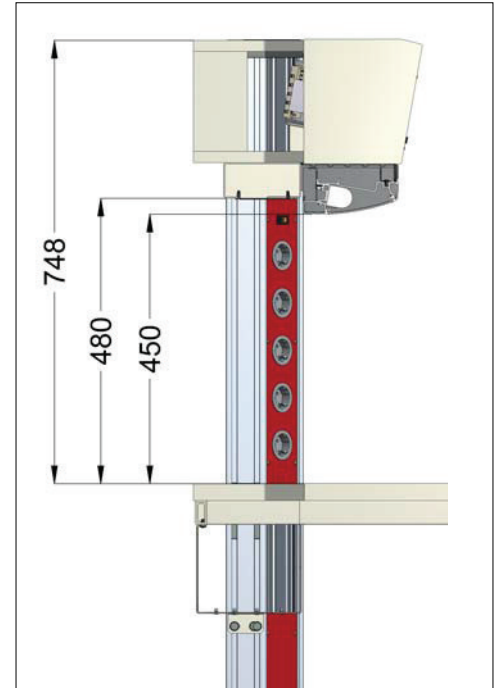
Description			Order-No.
<p>Power supply duct System 3HE</p> <p>For holding 388HU For holding 348HU For holding 308HU For holding 288HU For holding 228HU</p> <p>D = 160 mm; H = 142 mm</p> <p>Cover strips, suitable for groove width 8.4 mm. Colour: silver grey Customer can cut to size for the appropriate duct width</p> <p>W = 2000 mm, D = 9 mm, H = 7 mm</p>		<p>W = 2000 mm W = 1800 mm W = 1600 mm W = 1500 mm W = 1200 mm</p>	<p>40-4Y 40-4A 40-4D 40-4B 40-4C</p> <p>81-6N</p>
<p>Column rack</p> <p>For training areas near to experimenting walls or as a space-saving alternative in the laboratory and the workshop</p> <p>3HU, 4 x 60HU</p> <p>W = 353 mm, D = 320 mm, H = 569 mm</p>			40-0K
<p>System-Superstructure 6HU</p> <p>to equip with ELABO cassettes 6HU in 5,08mm grid according to norm DIN41494</p> <p>For holding 6HU/372HP For holding 6HU/330HP For holding 6HU/294HP For holding 6HU/270HP For holding 6HU/216HP</p> <p>D = 400 mm, H = 360 mm, Front 4,5°</p> <p>Note: Profile is additionally necessary.</p>		<p>W = 2000 mm W = 1800 mm W = 1600 mm W = 1500 mm W = 1200 mm</p>	<p>K4-4A.X01 K4-4B.X01 K4-4C.X01 K4-4D.X01 K4-4E.X01</p> <p>K5-1P.0360</p>

Assembly example:



# Primus One

## System-Superstructure 3HU



## Technical features

- Ergonomically inclined towards the user (front inclination)
- Completely electrically pre-wired with device connections
- Can be fitted with Elabo devices or third-party devices
- Removable metal rear wall
- Retrofittable LED lighting
- Retrofittable Orga panel
- ESD [Electrostatic Discharge] variant for EPA [Electrostatic Protective Area] facilities



Note:

Including system carrier

Orga panel available separately


# Primus One

## System-Superstructure 3HU

### Technical data

Body		
Thickness	19 mm	
Coating	Melamine coating, resistant to organic solvents, weak acids, gasoline and oil	
Colour	light grey RAL 7035	
ESD variant		
Configuration	DIN EN 61340-5-1 Part 5-1 Body volume-conductive	
Dimension	Width	Equipment
Width	1200 mm	216HP
	1500 mm	270HP
	1600 mm	294HP
	1800 mm	330HP
	2000 mm	372HP
Depth		Top: 386 mm Bottom: 350 mm
Height	3HU	210 mm (270 mm with system carrier)

### Ordering no.

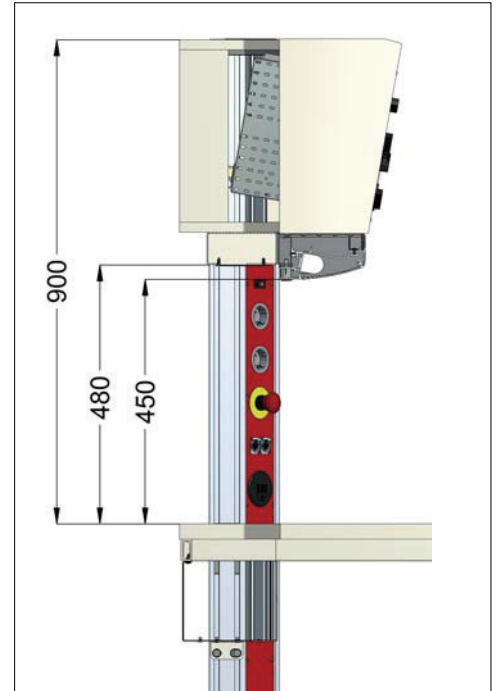
Width	Standard (including system carrier)	ESD (including system carrier) 
1200 mm	K4-2E	K4-2L
1500 mm	K4-2D	K4-2K
1600 mm	K4-2C	K4-2J
1800 mm	K4-2B	K4-2H
2000 mm	K4-2A	K4-2G

### Suitable system profile (1 pair)

Length: 748 mm For equipping with 480 mm insert panel	K5-1P.0748
--	------------

# Primus One

## System-Superstructure 6HU



## Technical features

- Ergonomically inclined towards the user (front inclination)
- Completely electrically pre-wired with device connections
- Can be fitted with Elabo devices or third-party devices
- Seamless integration of 19" devices
- Removable metal rear wall
- Retrofittable LED lighting
- Retrofittable Orga panel
- ESD [Electrostatic Discharge] variant for EPA [Electrostatic Protective Area] facilities



Note:

Including system carrier

Orga panel available separately


# Primus One

## System-Superstructure 6HU

### Technical data

Body		
Thickness	19 mm	
Coating	Melamine coating, resistant to organic solvents, weak acids, gasoline and oil	
Colour	light grey RAL 7035	
ESD variant		
Configuration	DIN EN 61340-5-1 Part 5-1 Body volume-conductive	
Dimension	Width	Equipment
Width	1200mm	216HP
	1500 mm	270HP
	1600 mm	294HP
	1800 mm	330HP
	2000 mm	372HP
Depth		Top: 412 mm Bottom: 350 mm
Height	6HU	360 mm (420 mm with system carrier)

### Ordering no.

Width	Standard (including system carrier)	ESD (including system carrier) 
1200 mm	K4-4E	K4-4L
1500 mm	K4-4D	K4-4K
1600 mm	K4-4C	K4-4J
1800 mm	K4-4B	K4-4H
2000 mm	K4-4A	K4-4G

### Suitable system profile (1 pair)

Length: 900 mm For equipping with 480 mm insert panel	K5-1P.0900
--	------------

### Suitable accessories

ELABO Primus One 19° adaption to integrate 19° insert panels and electrical inserts Consisting of: 2x 6HU angles, 2x guide rails , 2x insert panel, fixing material	K9-4A
--	-------