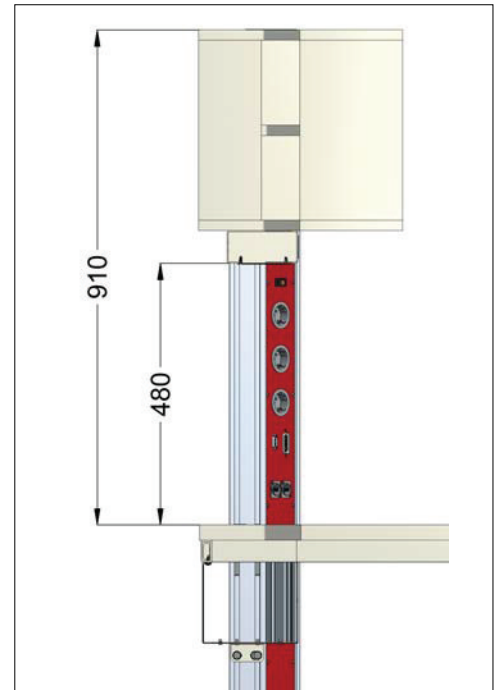


Superstructures

A4

Primus One

System-Shelf superstructure



Technical features

- Storage space directly at the workplace
- Suitable for DIN A4 file
- Shelf version including one height-adjustable shelf
- Retrofittable LED lighting
- Retrofittable Orga panel
- ESD [Electrostatic Discharge] variant for EPA [Electrostatic Protective Area] facilities
- Superstructure can be equipped with electric sockets, for example

Note:

Pay attention whether the design is with or without a system carrier

Orga panel separately available only for superstructure with system carrier

Shelf superstructure can be fitted with 330 mm insert panels

Primus One

System-Shelf superstructure

Technical data

Body		
Thickness	19 mm	
Coating	Melamine coating, resistant to organic solvents, weak acids, gasoline and oil	
Colour	light grey RAL 7035	
ESD variant		
Configuration	DIN EN 61340-5-1 Part 5-1 Body volume-conductive	
Dimension	Width	
Width	1200 mm, 1500 mm, 1600 mm, 1800 mm, 2000 mm	
Depth	Outside	375 mm
	Inside	356 mm
Height	Outside	370 mm (430 mm with system carrier)
	Inside	330 mm

Ordering no.

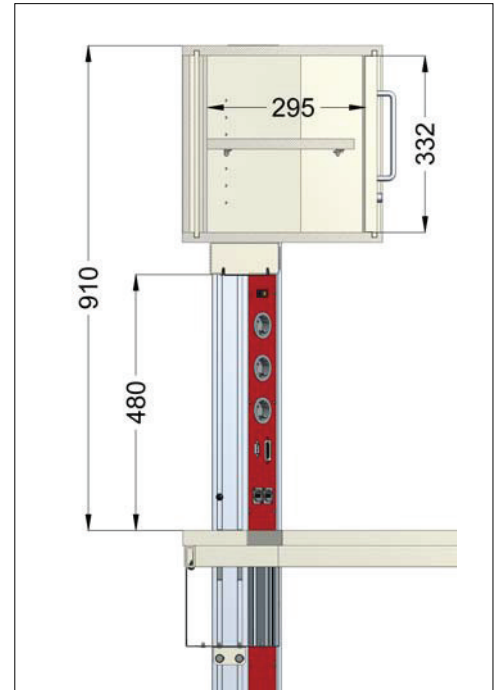
Width	Standard	ESD 	Without system carrier	Without system carrier ESD 
1200 mm	K4-5E	K4-5L	K4-5E.1	K4-5L.1
1500 mm	K4-5D	K4-5K	K4-5D.1	K4-5K.1
1600 mm	K4-5C	K4-5J	K4-5C.1	K4-5J.1
1800 mm	K4-5B	K4-5H	K4-5B.1	K4-5H.1
2000 mm	K4-5A	K4-5G	K4-5A.1	K4-5G.1

Suitable system profile (1 pair)

Length: 372 mm For installing shelf unit directly on top of an electrical superstructure For equipping with 330 mm insert panel	K5-1P.0372
Length: 910 mm For installation of a shelf unit over a table For equipping with 480 mm + 330 mm insert panel	K5-1P.0910

Primus One

System-Roller-shutter superstructure



Technical features

- Storage space directly at the workplace
- Suitable for DIN A4 file
- Roller shutter superstructure with lock and foldable key, optionally centrally lockable
- Retrofittable LED lighting
- Retrofittable Orga panel

Note:

Pay attention whether the design is with or without a system carrier

Orga panel separately available only for superstructure with system carrier

Primus One

System-Roller-shutter superstructure

Technical data

Body		
Thickness	19 mm	
Coating	Melamine coating, resistant to organic solvents, weak acids, gasoline and oil	
Colour	light grey RAL 7035	
Dimension		
Width		
Width	1200 mm, 1500 mm, 1600 mm, 1800 mm, 2000 mm	
Depth	Outside	375 mm
	Inside	295 mm
Height	Outside	370 mm (430 mm with system carrier)
	Inside	332 mm

Ordering no.

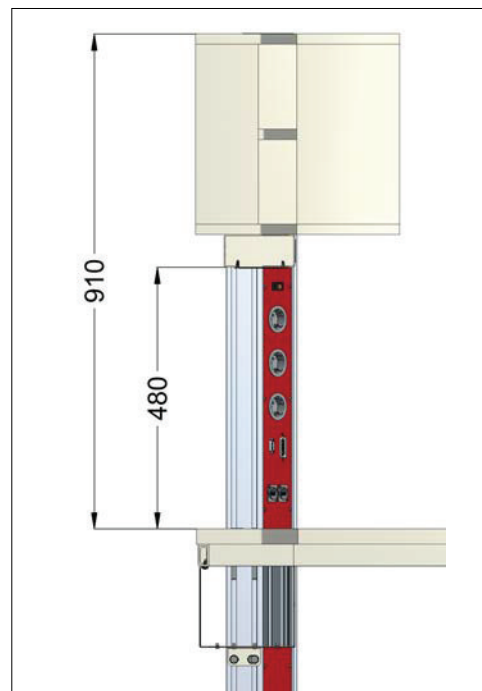
Width	Standard	Without system carrier
1200 mm	K4-6E	K4-6E.1
1500 mm	K4-6D	K4-6D.1
1600 mm	K4-6C	K4-6C.1
1800 mm	K4-6B	K4-6B.1
2000 mm	K4-6A	K4-6A.1

Suitable system profile (1 pair)

Length: 372 mm For installing shelf unit directly on top of an electrical superstructure	K5-1P.0372
Length: 910 mm For installation of a shelf unit over a table For equipping with 480 mm insert panel	K5-1P.0910

Primus One

System-Sliding-door superstructure



Technical features

- Storage space directly at the workplace
- Suitable for DIN A4 file
- Sliding door with lock and foldable key, optionally centrally lockable
- Retrofittable LED lighting
- With partition panel and height-adjustable shelf

Note:

Pay attention whether the design is with or without a system carrier

Orga panel separately available only for superstructure with system carrier

Sliding-doors superstructure with 330 mm insert panels

Primus One

System-Sliding-door superstructure

Technical data

Body		
Thickness	19 mm	
Coating	Melamine coating, resistant to organic solvents, weak acids, gasoline and oil	
Colour	light grey RAL 7035	
ESD variant		
Configuration	DIN EN 61340-5-1 Part 5-1 Body volume-conductive	
Dimension	Width	
Width	1200 mm, 1500 mm, 1600 mm, 1800 mm, 2000 mm	
Depth	Outside	375 mm
	Inside	296 mm
Height	Outside	370 mm (430 mm with System carrier)
	Inside	300 mm

Ordering no.

Width	Standard	ESD 	Without System carrier	Without System carrier ESD 
1200 mm	K4-8E	K4-8L	K4-8E.1	K4-8L.1
1500 mm	K4-8D	K4-8K	K4-8D.1	K4-8K.1
1600 mm	K4-8C	K4-8J	K4-8C.1	K4-8J.1
1800 mm	K4-8B	K4-8H	K4-8B.1	K4-8H.1
2000 mm	K4-8A	K4-8G	K4-8A.1	K4-8G.1

Suitable system profile (1pair)

Length: 372 mm For installing shelf unit directly on top of an electrical superstructure For equipping with 330 mm insert panel	K5-1P.0372
Length: 910 mm For installation of a shelf unit over a table For equipping with 480 mm + 330 mm insert panel	K5-1P.0910

A Primus One[®]

